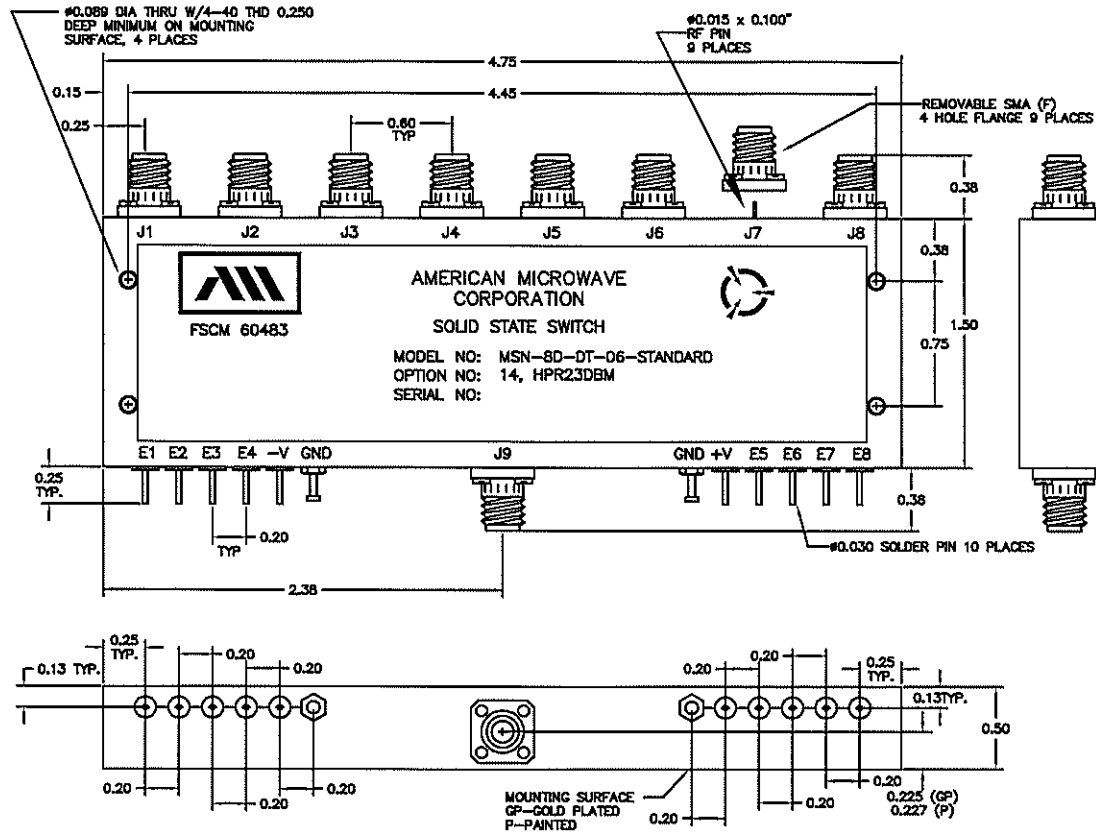


DESCRIPTION

AMC MODEL SWN-218-2DT-STANDARD OPTION: COULD BE ANYTHING IS AN ABSORPTIVE/NON-REFLECTIVE SINGLE POLE TWO THROW SWITCH DESIGNED TO OPERATE OVER THE FULL 2 TO 18 GHz FREQUENCY RANGE WITH LOW INSERTION LOSS AND HIGH ISOLATION.

MECHANICAL OUTLINE



AMERICAN MICROWAVE CORPORATION

7311-G GROVE ROAD
 FREDERICK, MARYLAND 21704 USA
 TEL: 301-662-4700 FAX: 301-662-4938
 WEBSITE: www.americanmicrowavecorp.com
 E-MAIL: sales@americanmicrowavecorp.com
 ISO 9001:2000 CERTIFIED



ALL DIMENSIONS ARE IN INCHES

TOLERANCES:
 X.XX ±0.020
 X.XXX ±0.010

APPROVALS		DATE	TITLE			REV.
DRAWN	W3CS	06/14/07	MECHANICAL OUTLINE MSN-8DT-06-STANDARD OPTION: 14, HPR23DBM 1 - 4 GHz SP8T PIN DIODE SWITCH			
CHECKED	fa	8/5/07	SIZE	FSCM NO.	DWG NO.	
ISSUED			A	60483	100-M008-000	A
			SCALE	N:S	SHEET	2 OF 4

DESCRIPTION:

AMC MODEL NO.: MSN-8DT-06-STANDARD OPTION 14, HPR23DBM IS A SP8T ABSORPTIVE/NON-REFLECTIVE PIN DIODE SWITCH DESIGNED TO OPERATE FROM 1-4 GHz FREQUENCY RANGE.

REVISIONS				
ZONE	REV.	DESCRIPTION	DATE	APPROVED
	-	ORIGINAL RELEASE JOB# 705098PEX	06/14/07	
	A	SEE ECN# 07-111	8/28/07	<i>Ma</i>

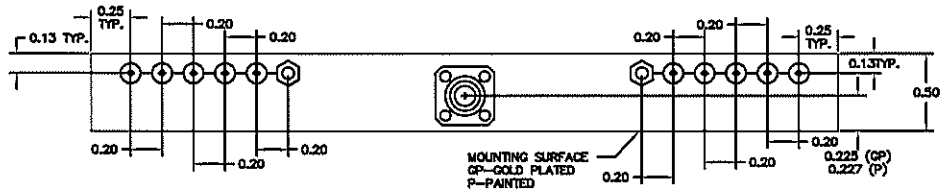
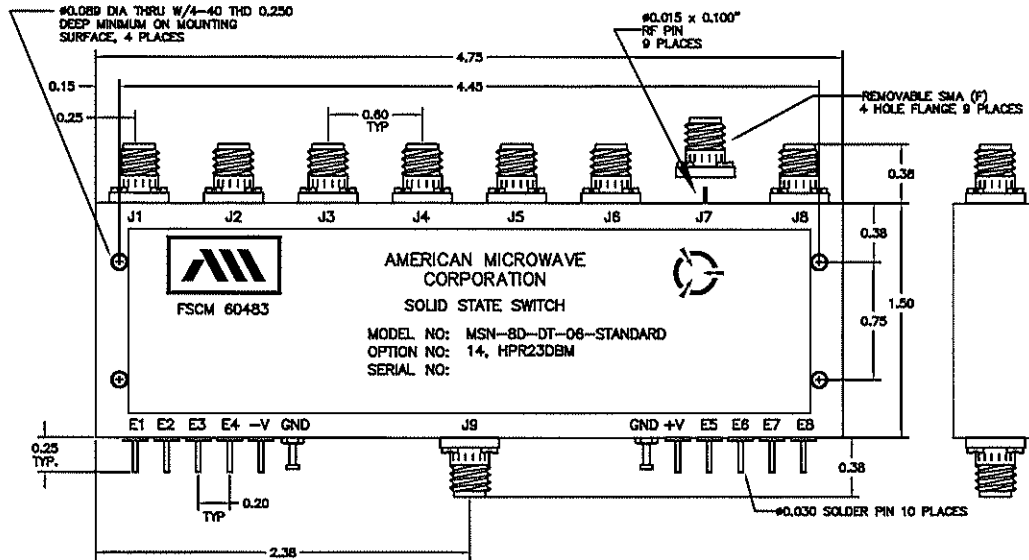
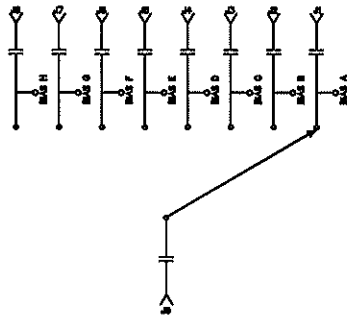
SPECIFICATIONS:

- FREQUENCY: 1 - 4 GHz
- INSERTION LOSS: ABSORPTIVE: 2.0 dB MAXIMUM
- ISOLATION: 1 - 2 GHz: 60 dB
2 - 4 GHz: 70 dB
- VSWR: ABSORPTIVE IN/OUT: 1.3:1
ABSORPTIVE OUT/OFF: 1.3:1
- SPEED: RISE: 10ns TYPICAL, 15ns MAX.
FALL: 10ns TYPICAL, 15ns MAX.
DELAY ON: 75ns TYPICAL, 100ns MAX.
DELAY OFF: 75ns TYPICAL, 100ns MAX.
- RF INPUT POWER: +23 dBm
- SURVIVAL POWER: 1 WATT CW, 10 WATTS PEAK 1 usec
- CONTROL: TTL LOGIC "0"=ON "1"=OFF
- POWER SUPPLY: +5V @ 400 mA MAX.
-5V @ 100 mA MAX.

OPTIONS:

- INDEPENDENT CONTROL WITH SOLDER PIN STANDARD
- 14: OPTIMIZED FOR 1-4 GHz FREQUENCY
- HPR23DBM: OPTIMIZED FOR +23 dBm RF INPUT POWER

BLOCK DIAGRAM



ENVIRONMENTAL RATINGS:

- TEMPERATURE: -55°C TO +85°C (OPERATING)
-65°C TO +125°C (STORAGE)
 - HUMIDITY: MIL-STD-202F, METHOD 103B COND. B
 - SHOCK: MIL-STD-202F, METHOD 213B COND. B
 - VIBRATION: MIL-STD-202F, METHOD 204D COND. B
 - ALTITUDE: MIL-STD-202F, METHOD 105C COND. B
 - TEMPERATURE CYCLE: MIL-STD-202F, METHOD 107D COND. A
- NOTE: THE ABOVE SPECIFICATIONS ARE SUBJECT TO CHANGE OR REVISION

ALL DIMENSIONS ARE IN INCHES
TOLERANCES:
X.XX ±0.020
X.XXX ±0.010

AMERICAN MICROWAVE CORPORATION

7311-G GROVE ROAD
FREDERICK, MARYLAND 21704 USA
TEL: 301-662-4700 FAX: 301-662-4938
WEBSITE: www.americanmicrowavecorp.com
E-MAIL: sales@americanmicrowavecorp.com
ISO 9001:2000 CERTIFIED

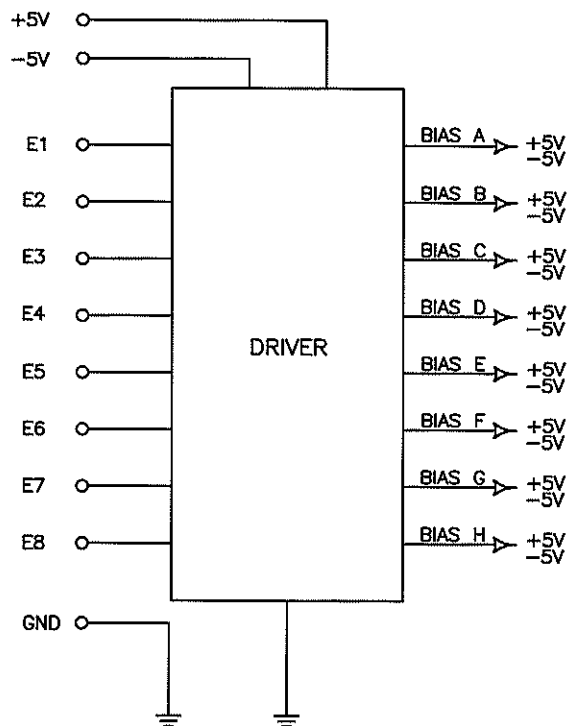


APPROVALS		DATE	TITLE		
DRAWN <i>WJCS</i>		06/14/07	PRODUCT FEATURE MSN-8DT-06-STANDARD OPTION: 14, HPR23DBM 1 - 4 GHz SP8T PIN DIODE SWITCH		
CHECKED <i>Ma</i>	08/28/07	SIZE A	FSCM NO. 60483	DNW NO. 100-M008-000	REV. A
ISSUED		SCALE N:S	SHEET 1 OF 4		

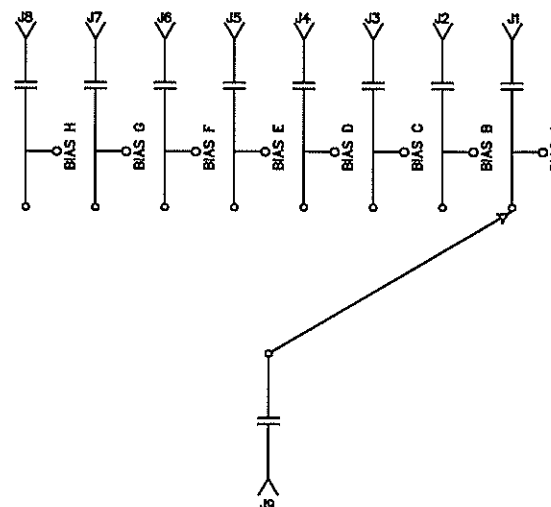
DESCRIPTION

AMC MODEL SWN-218-2DT-STANDARD OPTION: COULD BE ANYTHING IS AN ABSORPTIVE/NON-REFLECTIVE SINGLE POLE TWO THROW SWITCH DESIGNED TO OPERATE OVER THE FULL 2 TO 18 GHz FREQUENCY RANGE WITH LOW INSERTION LOSS AND HIGH ISOLATION.

FUNCTIONAL BLOCK DIAGRAM



BLOCK DIAGRAM



AMERICAN MICROWAVE CORPORATION

7311-G GROVE ROAD
 FREDERICK, MARYLAND 21704 USA
 TEL: 301-662-4700 FAX: 301-662-4938
 WEBSITE: www.americanmicrowavecorp.com
 E-MAIL: sales@americanmicrowavecorp.com
 ISO 9001:2000 CERTIFIED



APPROVALS		DATE	TITLE			
DRAWN	<i>W369</i>	06/14/07	FUNCTIONAL BLOCK DIAGRAM MSN-8DT-06-STANDARD OPTION: 14, HPR23DBM 1 - 4 GHz SP8T PIN DIODE SWITCH			
CHECKED	<i>la</i>	8/20/07	SIZE	FSM NO.	DWG NO.	REV.
ISSUED			A	60483	100-M008-000	A
			SCALE	N:S		SHEET 3 OF 4